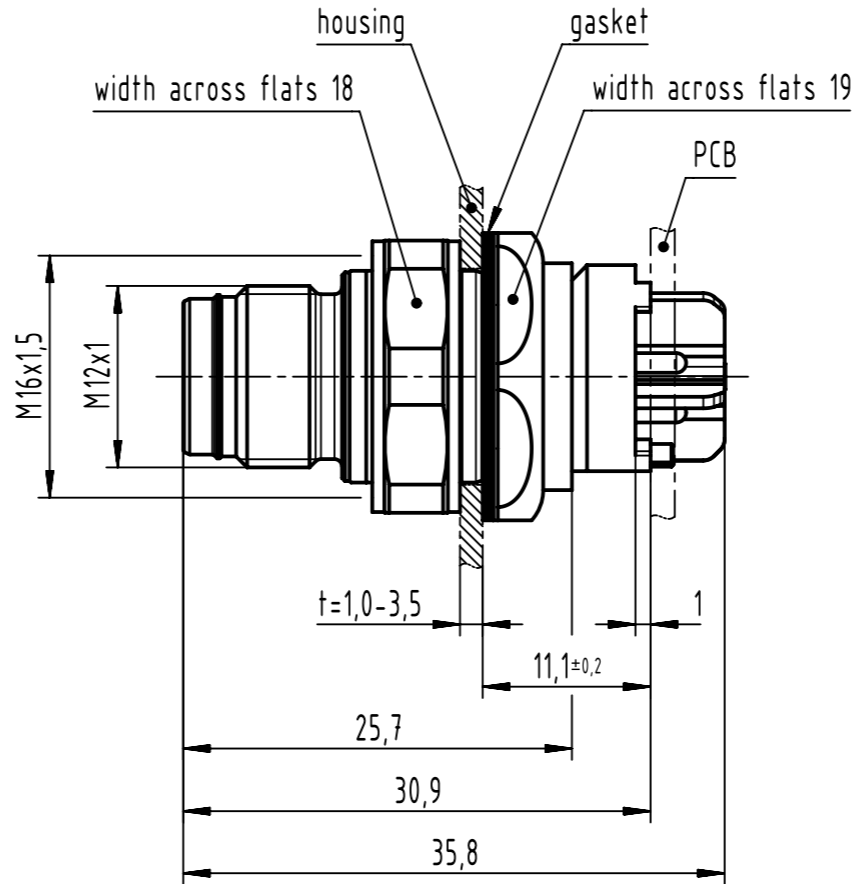
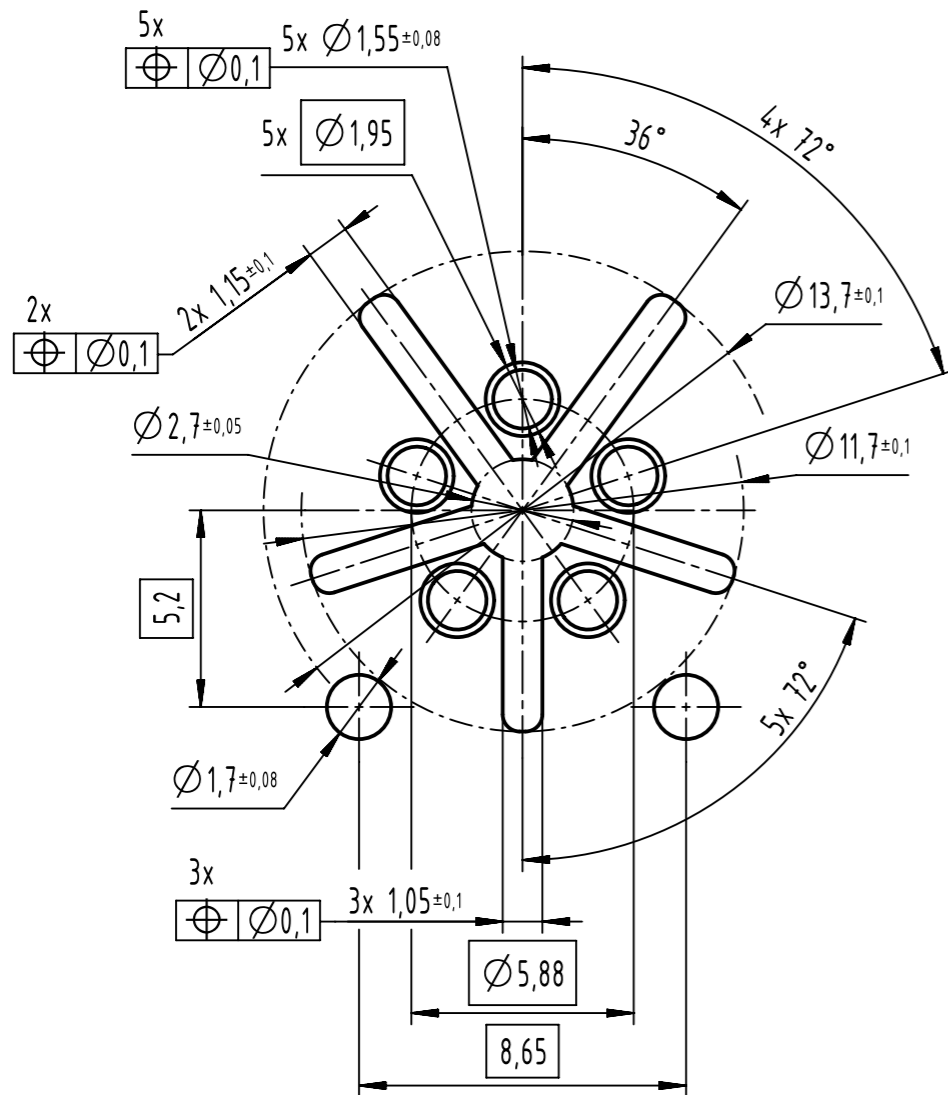
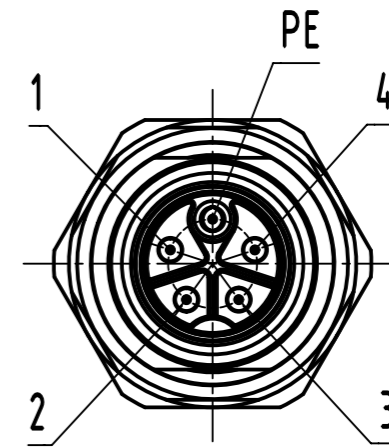


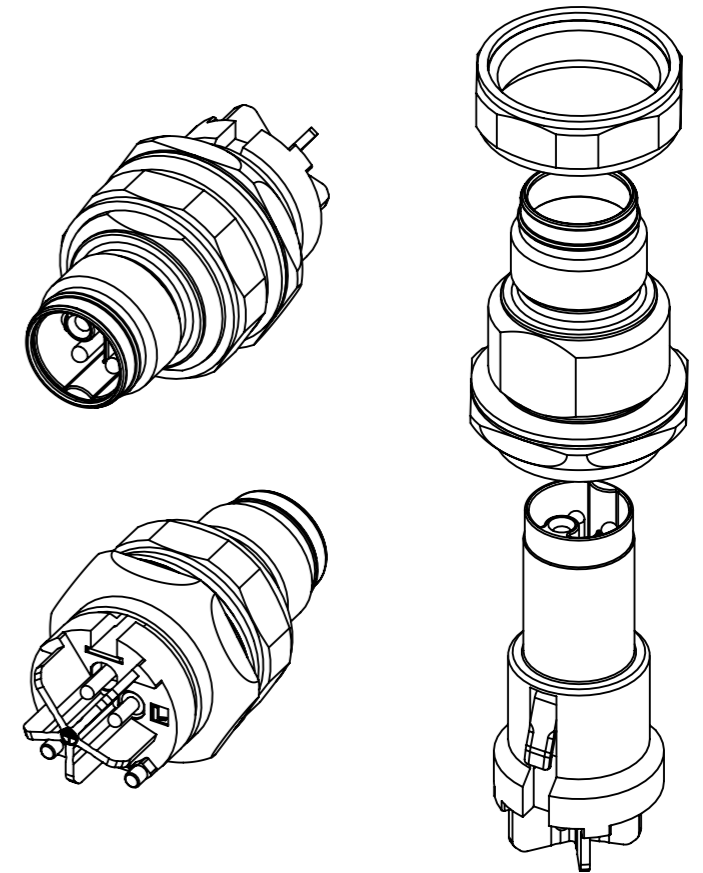
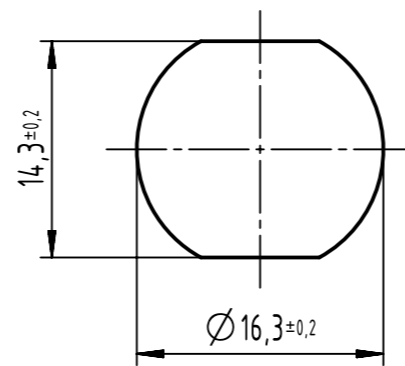
recommended PCB-layout
A (5:1)



contact face based on
IEC 61076-2-111

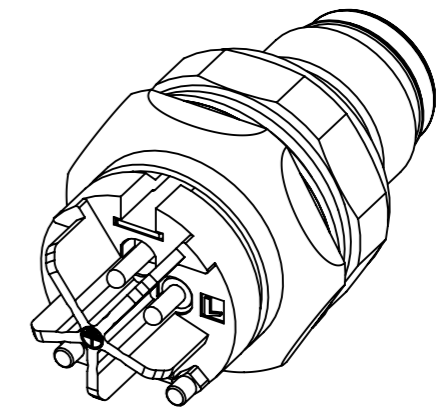
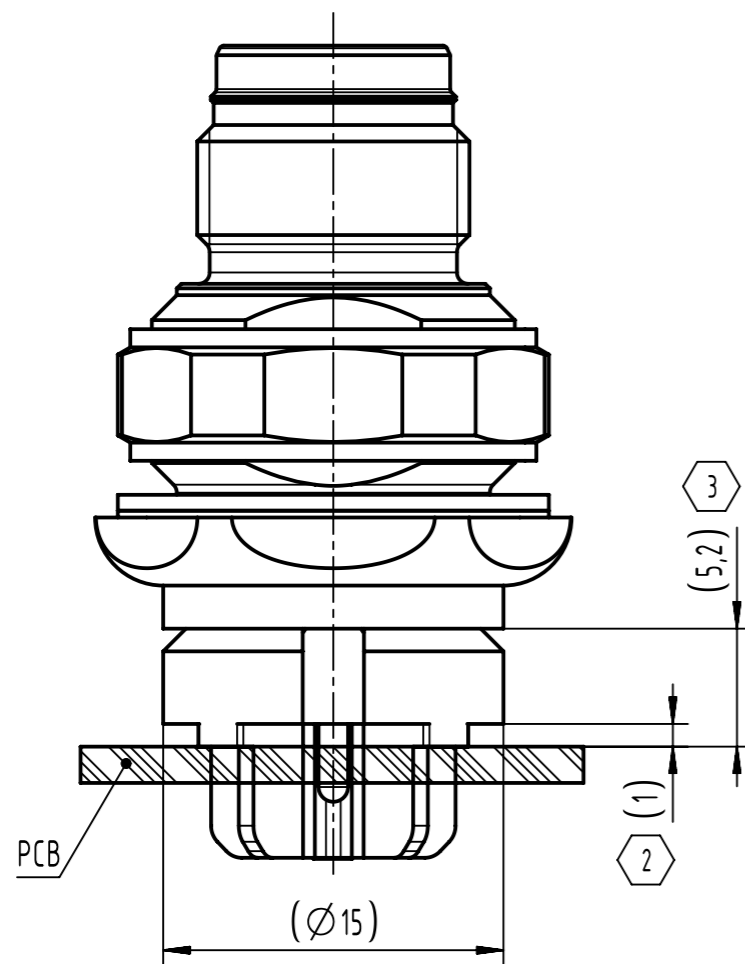
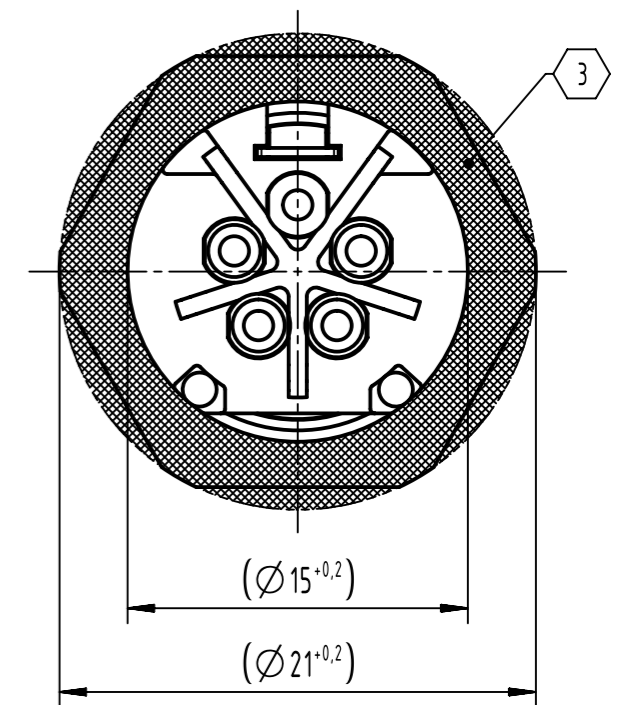
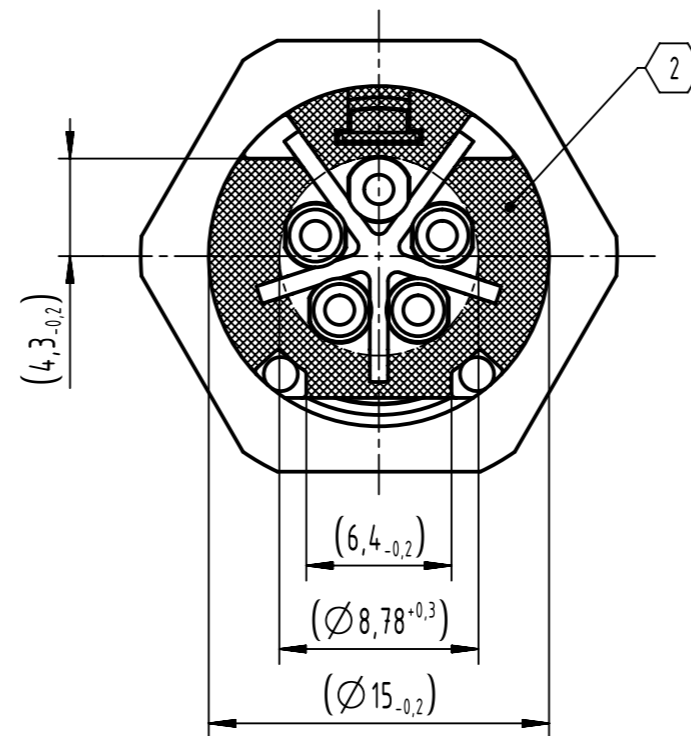
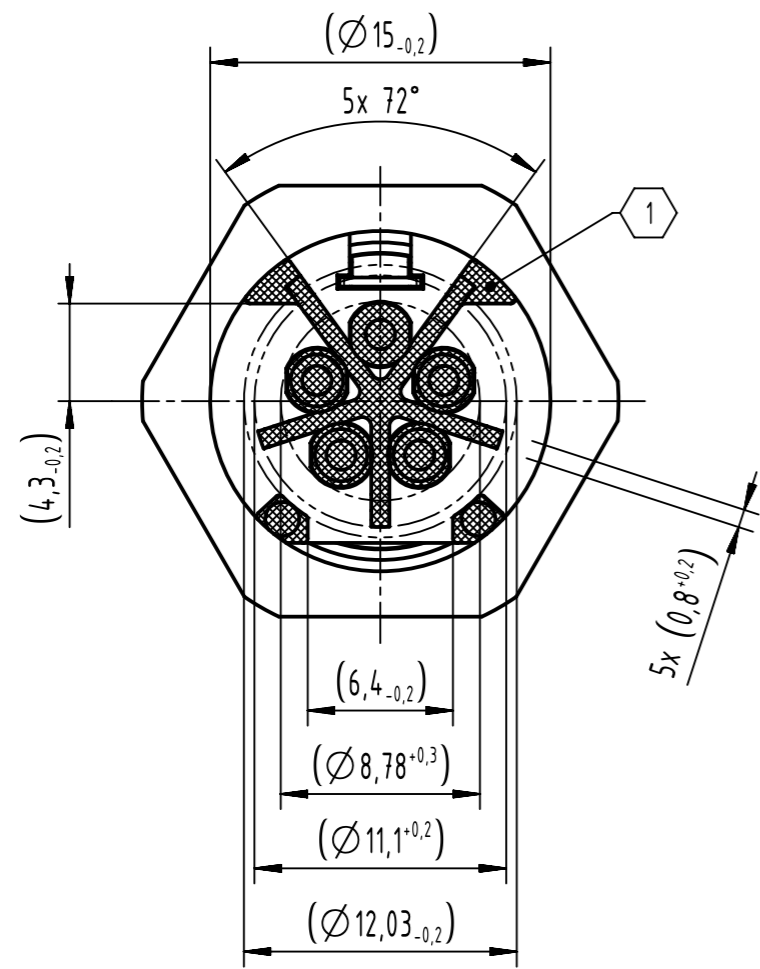


panel cut out




- recommended PCB: 1.6mm
- recommended torque for the lock nut: 2.0Nm
- 1 pcs. single package

	All rights reserved Department EL PD	Created by HASSE	Inspected by FRIESENH	Standardisation	Date 2021-11-05	State Final Release	Ref. Sub.
	HARTING D-32339 Espelkamp	Title M12-PCB-THR-2PC-5P-KCOD-M-STR-SHLD				Doc-Key / ECM-Nr. 100699602/UGD/000/E 500000205391	
		Type TB	Number 21033091530		Rev. E	Page 1/2	



- 1 the area where no component on the PCB is allowed
- 2 the area where components of max. 0.9mm height are allowed on the PCB
- 3 starting from $\varnothing 15^{+0.2}$, the maximum height of the components on the PCB is 6,7mm

	All rights reserved	Created by HASSE	Inspected by FRIESENH	Standardisation	Date 2021-11-05	State Final Release
	Department EL PD	Title M12-PCB-THR-2PC-5P-KCOD-M-STR-SHLD		Doc-Key / ECM-Nr. 100699602/UGD/000/E 500000205391		
HARTING D-32339 Espelkamp		Type TB	Number 21033091530		Rev. E	Page 2/2